

Prismatic Supercapacitor

new



See below:

[Approvals and Compliances](#)

**Description**

- Prismatic ultra-thin supercapacitors
- Single or double cell version
- Ultra-compact design
- High pulse power

**Unique Selling Proposition**

- World thinnest supercapacitors
- High power density
- Low ESR with high current handling
- Very low self discharge

**Applications**

- Sensors
- Small mobile devices
- Small power supplies
- Mobile energy harvesting
- Uninterruptible power supply

**Weblinks**

[pdf data sheet](#), [html datasheet](#), [Distributor-Stock-Check](#), [Detailed request for product](#)

**Technical Data**

Rated Voltage	4.2 / 4.5 / 5.5V
Capacity	35 - 1000mF
Allowable Operation Temperature	-40 °C to 85 °C (4.2 - 4.5 V)
	-40 to 70 °C (5.5 V)
RMS current	1 - 5.5A
Peak Current	5 - 30A
Mounting	PCB,SMT
Soldering Methods	Manual

**Approvals and Compliances**

Detailed information on product approvals, code requirements, usage instructions and detailed test conditions can be looked up in [Details about Approvals](#)

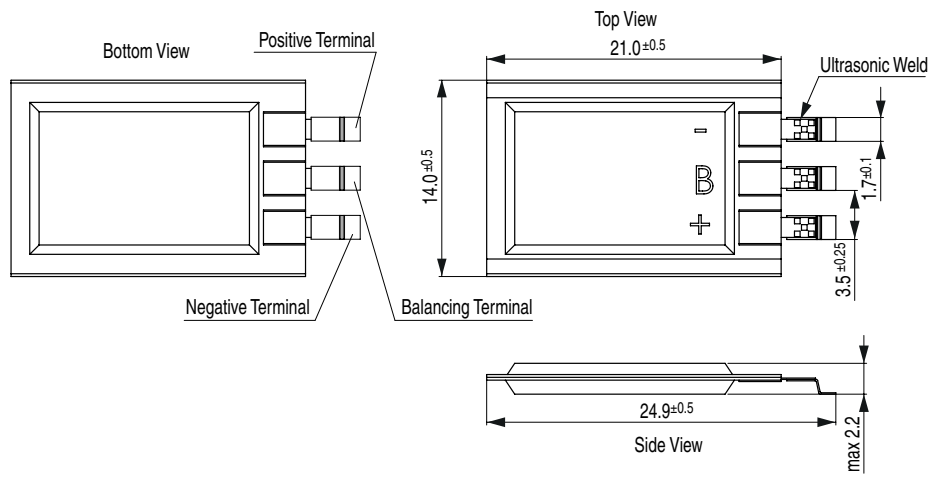
SCHURTER products are designed for use in industrial environments. They have approvals from independent testing bodies according to national and international standards. Products with specific characteristics and requirements such as required in the automotive sector according to IATF 16949, medical technology according to ISO 13485 or in the aerospace industry can be offered exclusively with customer-specific, individual agreements by SCHURTER.

**Compliances**

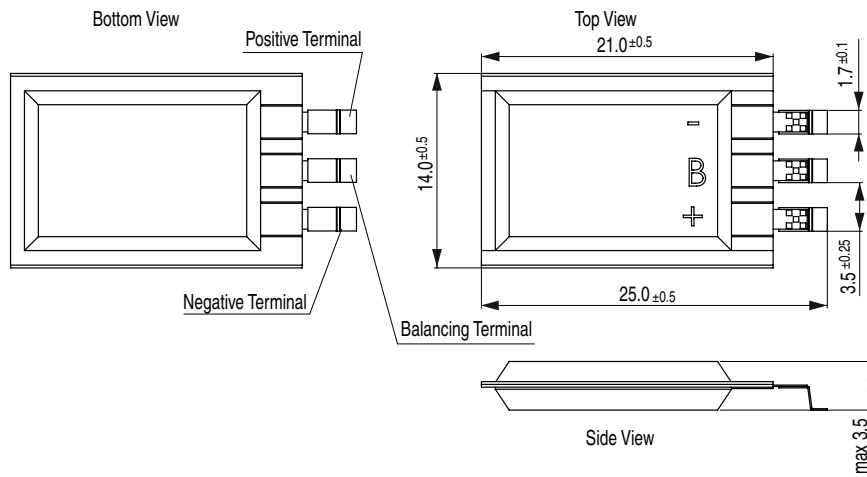
The product complies with following Guide Lines

Identification	Details	Initiator	Description
	<a href="#">CE declaration of conformity</a>	SCHURTER AG	The CE marking declares that the product complies with the applicable requirements laid down in the harmonisation of Community legislation on its affixing in accordance with EU Regulation 765/2008.
	<a href="#">UKCA declaration of conformity</a>	SCHURTER AG	The UKCA marking declares that the product complies with the applicable requirements laid down in the British Amendment of Regulation (EC) 765/2008.
	<a href="#">RoHS</a>	SCHURTER AG	Directive RoHS 2011/65/EU, Amendment (EU) 2015/863
	<a href="#">China RoHS</a>	SCHURTER AG	The law SJ / T 11363-2006 (China RoHS) has been in force since 1 March 2007. It is similar to the EU directive RoHS.
	<a href="#">REACH</a>	SCHURTER AG	On 1 June 2007, Regulation (EC) No 1907/2006 on the Registration, Evaluation, Authorization and Restriction of Chemicals 1 (abbreviated as "REACH") entered into force.

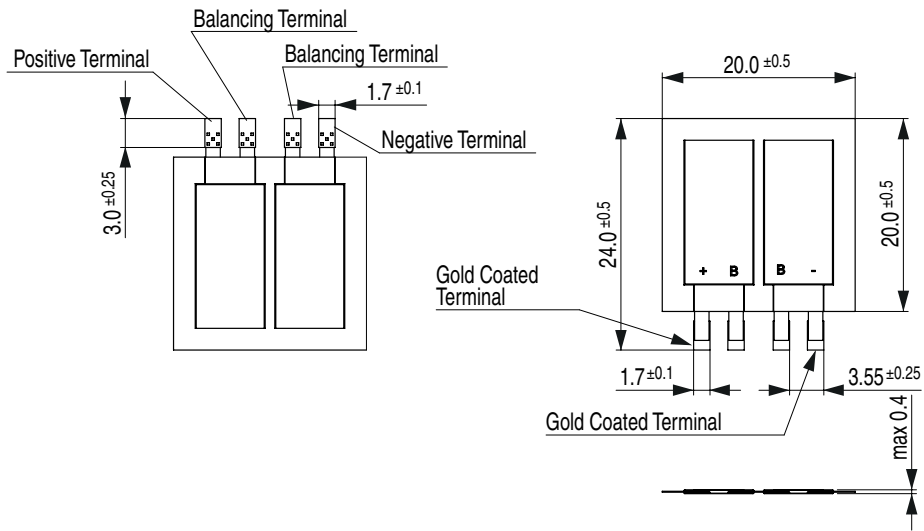
**Dimension [mm]**  
 Case TS22



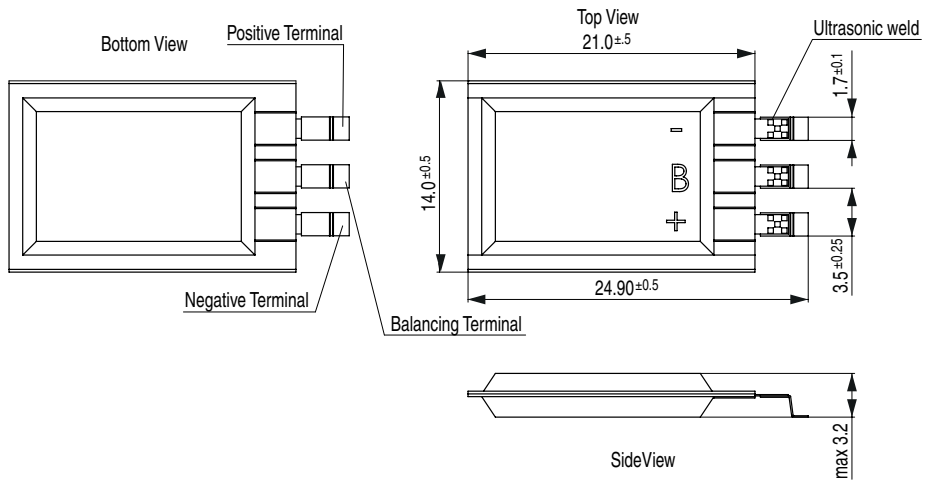
Case TS35



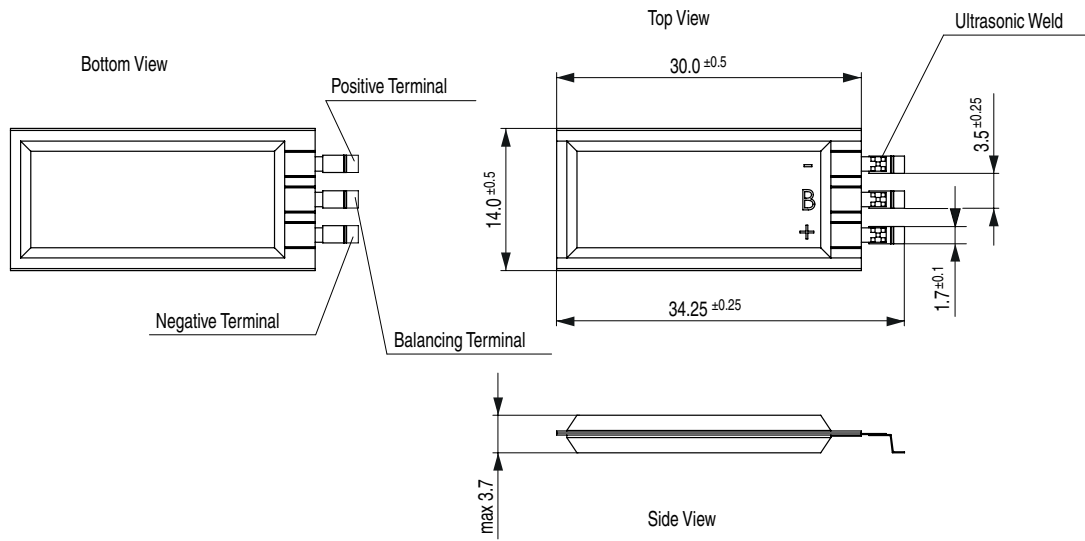
Case HS04



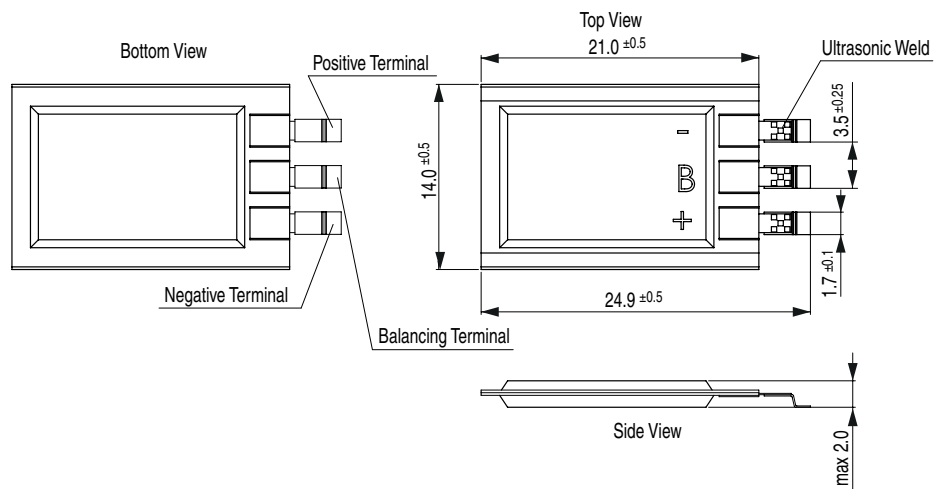
Case TS32

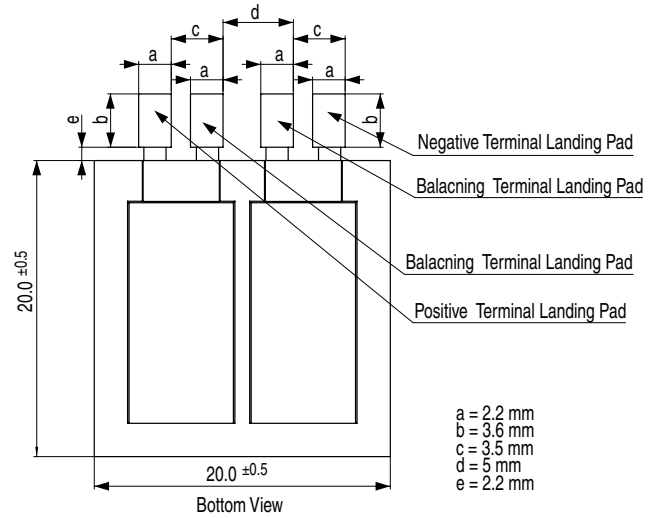
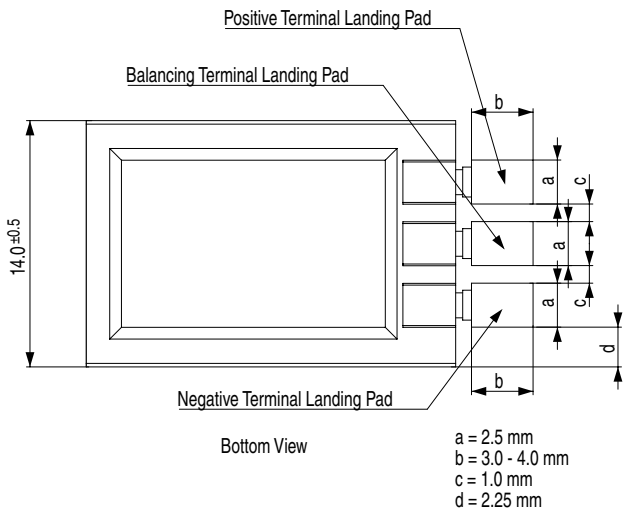


Case FS37



Case TS20





Soldering pads to Case TS20, TS22, TS32, TS35, FS37

Soldering pads to Case HS04

**Variants**

Cell Type	Rated Voltage [V]	Capacity [mF]	ESR [mΩ]	Leakage Current typ. [μA]	Leakage Current max. [μA]	RMS current [A]	Peak Current [A]	Housing	Order Number
Dual Cell	4.2	220	300	6	15	3.2	10	TS22	3-153-407
Dual Cell	4.2	470	130	5	10	4.8	10	TS35	3-153-408
Dual Cell	4.5	35	300	-	2	1	5	HS04	3-153-409
Dual Cell	5.5	470	45	-	3	4.5	30	TS32	3-153-410
Dual Cell	5.5	1000	40	-	6	5.5	30	FS37	3-153-411
Dual Cell	5.5	200	105	-	2	-	15	TS20	3-153-412

Availability for all products can be searched real-time: <https://www.schurter.com/en/info-center/support-tools/stock-check-distributors>

**Packaging Unit**

100 Pcs