

Rear Cover for Power Entry Module



E.g. DG12 with rear cover



E.g. DG11 with rear cover



See below:

[Approvals and Compliances](#)

Description

- The new RC320 Rear Covers protect against unintentional contact with live terminals.
- Rear covers from SCHURTER are a welcome addition for professional internal device designs.

Unique Selling Proposition

- Silicone rubber for a better fit.
- With high flame protection class UL94 V-0.
- Temperature resistant up to 150°C.
- Halogen free and RoHS, China RoH as well as REACH compliant.

References

Substitute for type [Assorted Covers](#)
 Mating cover to -> Go to Table of Variants

Weblinks

[pdf data sheet](#), [html datasheet](#), [General Product Information](#), [Approvals](#), [Distributor-Stock-Check](#), [Accessories](#), [Detailed request for product](#)

Approvals and Compliances

Detailed information on product approvals, code requirements, usage instructions and detailed test conditions can be looked up in [Details about Approvals](#)

SCHURTER products are designed for use in industrial environments. They have approvals from independent testing bodies according to national and international standards. Products with specific characteristics and requirements such as required in the automotive sector according to IATF 16949, medical technology according to ISO 13485 or in the aerospace industry can be offered exclusively with customer-specific, individual agreements by SCHURTER.

Application standards

Application standards where the product can be used

Organization	Design	Standard	Description
	Suitable for applications acc.	IEC/UL 62368-1	Audio/video, information and communication technology equipment - Part 1: Safety requirements

Compliances

The product complies with following Guide Lines

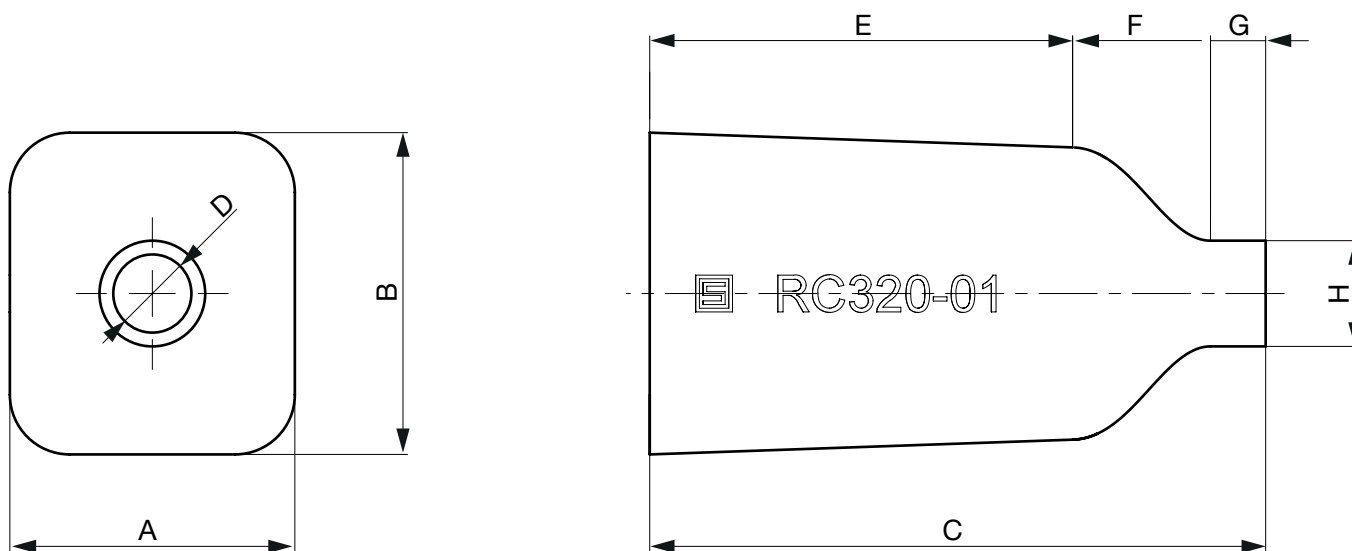
Identification	Details	Initiator	Description
	RoHS	SCHURTER AG	Directive RoHS 2011/65/EU, Amendment (EU) 2015/863
	China RoHS	SCHURTER AG	The law SJ / T 11363-2006 (China RoHS) has been in force since 1 March 2007. It is similar to the EU directive RoHS.
	Halogen Free	SCHURTER AG	SCHURTER strives to offer our customers halogen free products.
	REACH	SCHURTER AG	On 1 June 2007, Regulation (EC) No 1907/2006 on the Registration, Evaluation, Authorization and Restriction of Chemicals 1 (abbreviated as "REACH") entered into force.

Dimension [mm]

Shape A

Type

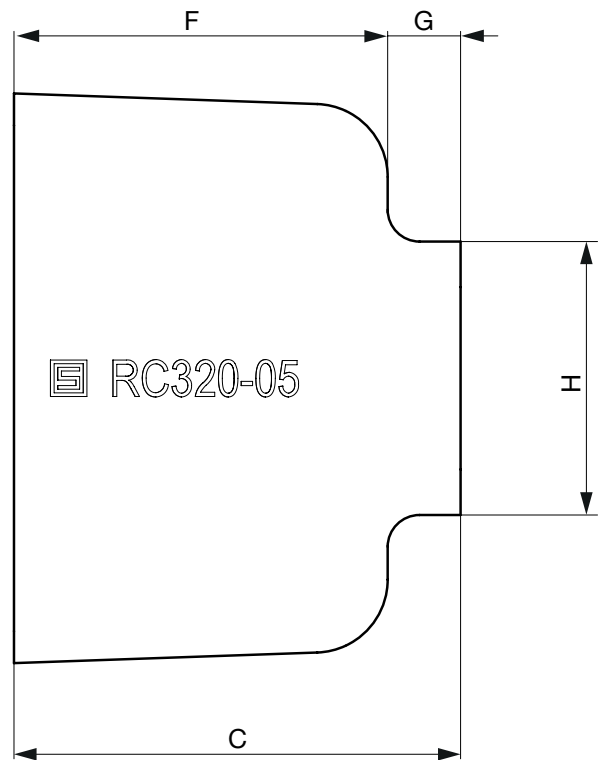
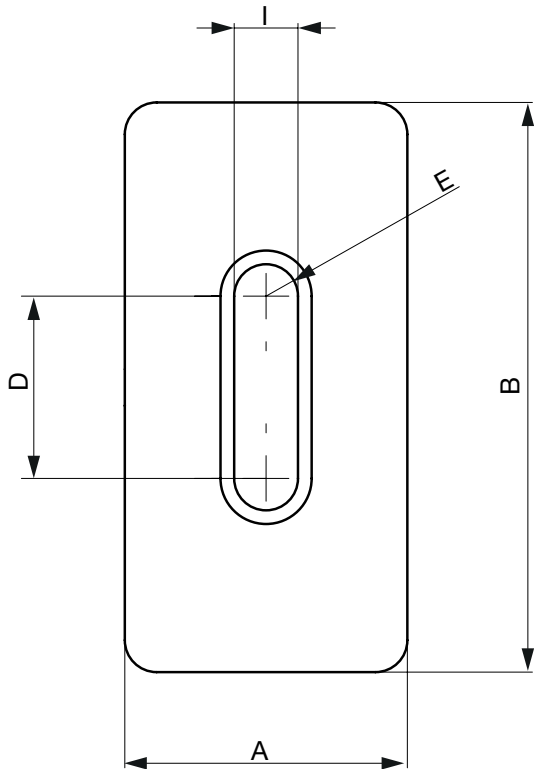
RC320-01 / RC320-02 / RC320-03 / RC320-04 / RC320-07 / RC320-08 / RC320-09 / RC320-10 / RC320-11 / RC320-12



Type	A	B	C	D	E	F	G	H
RC320-01	31	35	67	ø8.5	46	15	6	ø11.5
RC320-02	32.5	36	81	ø8.5	60	15	6	ø11.5
RC320-03	23.5	31.2	51	ø8.5	35	10	6	ø11.5
RC320-04	24.5	32.2	71	ø8.5	55	10	6	ø11.5
RC320-07	32.7	50.7	60	ø8.5	40	15	5	ø11.5
RC320-08	33	52.5	68	ø8.5	48	15	5	ø11.5
RC320-09	28.2	36	58	ø8.5	37	15	6	ø11.5
RC320-10	30.7	44.8	73	ø8.5	53	15	5	ø11.5
RC320-11	32	46	88	ø8.5	68	15	5	ø11.5
RC320-12	33	41	63	ø8.5	43	15	5	ø11.5

Shape B

Type
 RC320-05 / RC320-13 / RC320-14

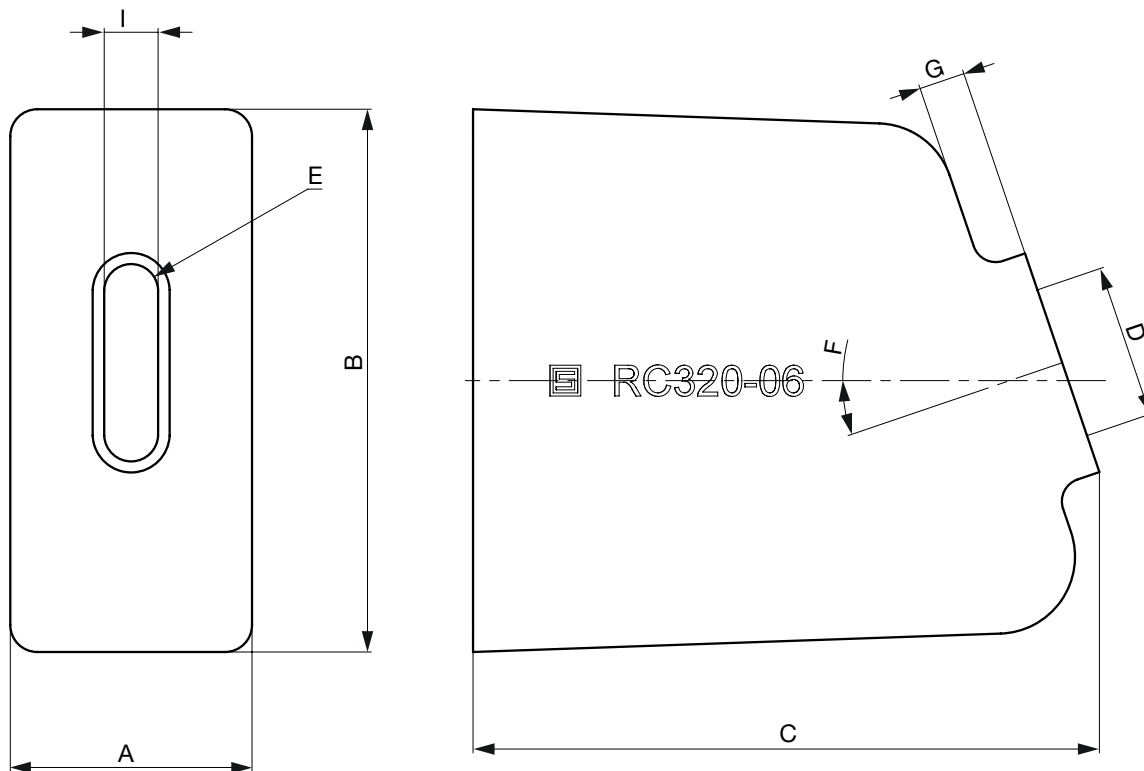


RC320-05

Type	A	B	C	D	E	F	G	H	I
RC320-05	31	62.5	49	20	R 3.5	41	8	30	10
RC320-13	32	61.3	78	20	R 3.5	70	8	30	10
RC320-14	36.7	61.3	78	20	R 3.5	70	8	30	10

Shape C

Type
 RC320-06



Type	A	B	C	D	E	F	G	H	I
RC320-06	31.4	70.5	81.4	20	R 3.5	19°	6	30	10

All Variants

Type name	Suitable for	Remarks	Order Number
RC320-01 Rear Cover	1062, 1064, 4707, 6200, 6202, 6205, 6220, DC11, KEA, KEB1	-	3-125-661
RC320-02 Rear Cover	5130, 5200, 5220, 5707, C20F, C22F, DC12, KFA, KFB1	-	3-125-662
RC320-03 Rear Cover	0711, 1061, 2565, 6010, 6015, 6061, 6080, 6100-3, 6100-4, 6102-3, 6102-5, 6110-3, 6110-4, 6120-3	-	3-125-663
RC320-04 Rear Cover	5003, 5110, 5120, 5121, 5123, 5124, KFS	-	3-125-664
RC320-05 Rear Cover	6762, 6765	-	3-125-665
RC320-06 Rear Cover	CD, KD	-	3-125-666
RC320-07 Rear Cover	DD11, EC11, KM, KMF	-	3-125-667
RC320-08 Rear Cover	DD12, DD14	-	3-125-668
RC320-09 Rear Cover	1621, 1624, 4721, 4723, 4793, 4798, 5098, 6600-3, 6600-4	-	3-125-669
RC320-10 Rear Cover	KEB2, KEC	-	3-125-670
RC320-11 Rear Cover	KFB2, KFC	-	3-125-671

Type name	Suitable for	Remarks	Order Number
RC320-12 Rear Cover	4797 , 5213 , 5216	-	3-125-672
RC320-13 Rear Cover	DG11 , DG12	IP40 version	3-125-673
RC320-14 Rear Cover	DG11 , DG12	IP67 version	3-125-674

Availability for all products can be searched real-time: <https://www.schurter.com/en/info-center/support-tools/stock-check-distributors>