

Storage Choke, fully potted resin



See below:

**Approvals and Compliances**

**Description**

- Storage choke
- THT-terminals
- Reduced magnetic reversal
- Constant inductance at high alternating field modulation and large DC magnetization
- Constant inductance at high alternating field modulation and large DC magnetization
- Fully potted resin

**Applications**

- Storage of energy in switched power supplies
- Switch-mode
- Chopper amplifiers
- DC drives and stepper motor controls

**References**

**Weblinks**

[pdf data sheet](#), [html datasheet](#), [General Product Information](#), [Approvals](#), [Distributor-Stock-Check](#), [Detailed request for product](#), [SPICE Library](#)

**Technical Data**

Rated voltage	up to 600VDC	Isolation Voltage	2 kV eff., winding to ambient
Rated Current	0.5 - 16A @ Ta 70 °C	Climatic Category	40/125/21 acc. to IEC 60068-1
Rated inductance	0.01 - 1 mH, Tol. ±15%	Allowable Operation Temp.	-40°C to 125°C
Power Operating Frequency	up to 1 MHz		
Terminal Type	THT		
Weight	7 - 243g		
Material	UL 94V-0		
Sealing Compound	UL 94V-0		

**Approvals and Compliances**

Detailed information on product approvals, code requirements, usage instructions and detailed test conditions can be looked up in [Details about Approvals](#)

SCHURTER products are designed for use in industrial environments. They have approvals from independent testing bodies according to national and international standards. Products with specific characteristics and requirements such as required in the automotive sector according to IATF 16949, medical technology according to ISO 13485 or in the aerospace industry can be offered exclusively with customer-specific, individual agreements by SCHURTER.






**Application standards**

Application standards where the product can be used

Organization	Design	Standard	Description
	Suitable for applications acc.	IEC/UL 62368-1	Audio/video, information and communication technology equipment - Part 1: Safety requirements

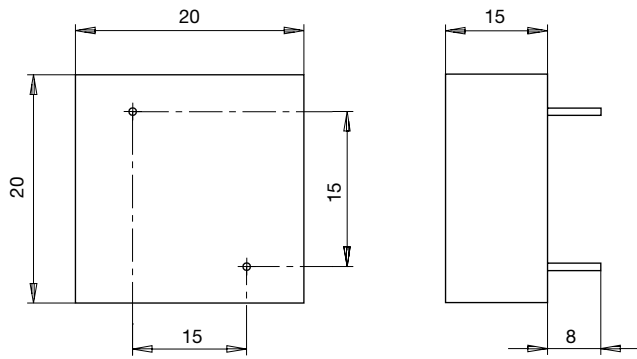
**Compliances**

The product complies with following Guide Lines

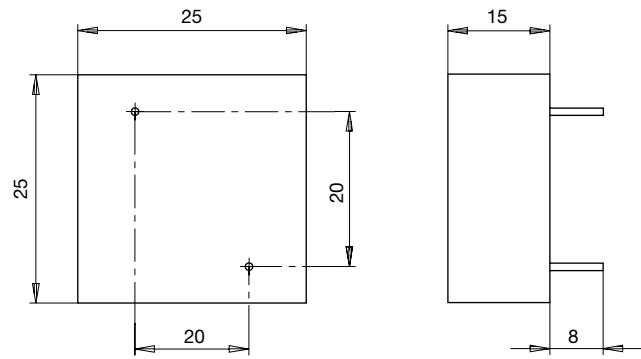
Identification	Details	Initiator	Description
	<a href="#">CE declaration of conformity</a>	SCHURTER AG	The CE marking declares that the product complies with the applicable requirements laid down in the harmonisation of Community legislation on its affixing in accordance with EU Regulation 765/2008.
	<a href="#">UKCA declaration of conformity</a>	SCHURTER AG	The UKCA marking declares that the product complies with the applicable requirements laid down in the British Amendment of Regulation (EC) 765/2008.
	RoHS	SCHURTER AG	Directive RoHS 2011/65/EU, Amendment (EU) 2015/863
	China RoHS	SCHURTER AG	The law SJ / T 11363-2006 (China RoHS) has been in force since 1 March 2007. It is similar to the EU directive RoHS.
	REACH	SCHURTER AG	On 1 June 2007, Regulation (EC) No 1907/2006 on the Registration, Evaluation, Authorization and Restriction of Chemicals 1 (abbreviated as "REACH") entered into force.

**Dimension [mm]**

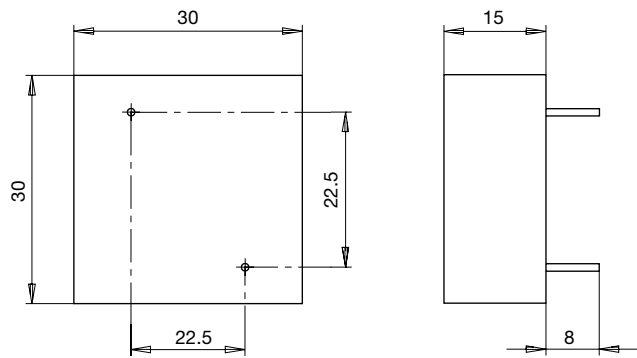
Case 20



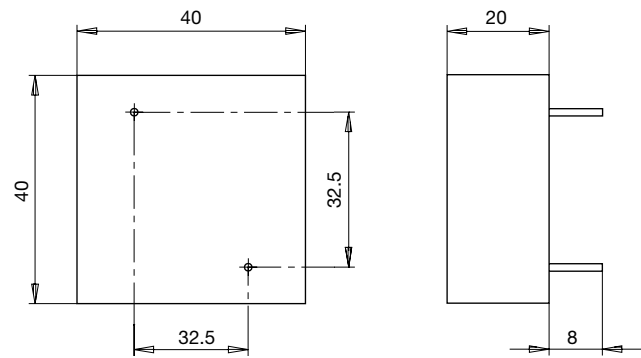
Case 25



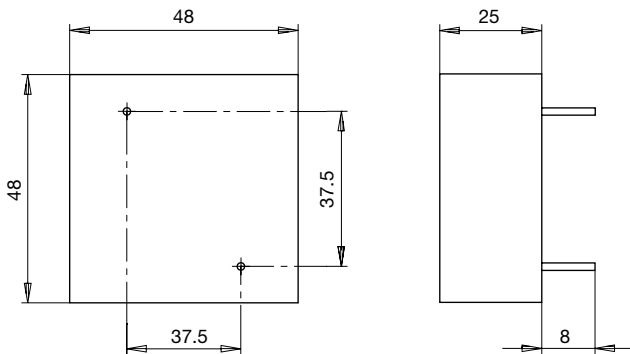
Case 30



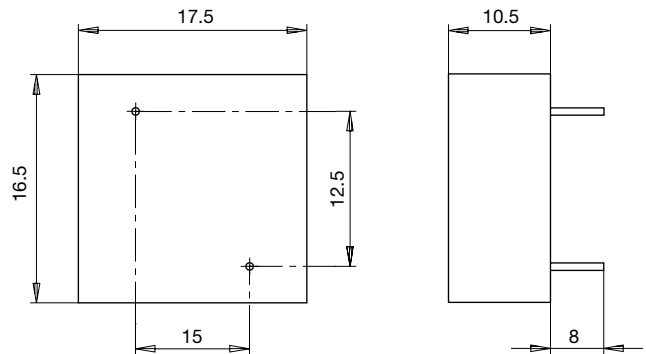
Case 40



Case 48

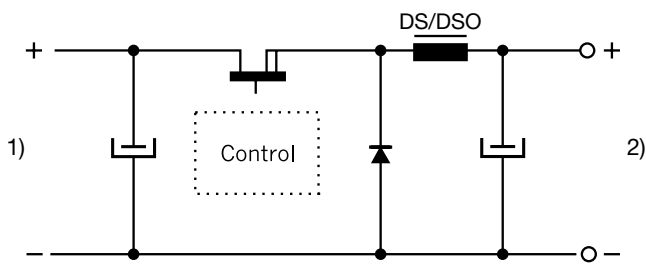


Case 175



Diagrams

Switch-mode



- 1) Input
- 2) DC output regulated

All Variants

$I_n$ [A]	$L_n$ [mH]	$R_{cu}$ [mΩ]	$f_{RES}$ [MHz]	Conne- tion pins $\phi$	Weight [g]	Housing	Packing unit [pcs.]	Order Number
0.5	0.8	700	2	0.5	7g	175	100	DS1-175-0001
0.63	0.5	500	2.5	0.5	7g	175	100	DS1-175-0002
1	0.2	180	5	0.5	7g	175	100	DS1-175-0003
1.4	0.1	80	6.5	0.5	7g	175	100	DS1-175-0004
3	0.035	26	11	0.5	7g	175	100	DS1-175-0005
0.63	1	700	1.2	0.5	14g	20	75	DS1-20-0001
1.4	0.2	175	4	0.5	14g	20	75	DS1-20-0002
6.3	0.01	8	-	0.7	14g	20	75	DS1-20-0004
1.4	0.5	200	1	1	23g	25	50	DS1-25-0001
2	0.2	100	3.5	1	23g	25	50	DS1-25-0002
3.15	0.1	40	5.7	1	23g	25	50	DS1-25-0003
7	0.02	10	-	1	23g	25	50	DS1-25-0004
1.6	0.5	200	-	1	34g	30	30	DS1-30-0001
2	0.3	140	-	1	34g	30	30	DS1-30-0002
3.15	0.15	55	4.5	1	34g	30	30	DS1-30-0003
4	0.1	36	6	1	34g	30	30	DS1-30-0004
2	1	190	-	1.5	84g	40	35	DS1-40-0001
3.15	0.5	90	-	1.5	85g	40	35	DS1-40-0002
4	0.2	55	3	1.5	84g	40	35	DS1-40-0003
6	0.1	26	4.5	1.5	84g	40	35	DS1-40-0004
3.15	1	160	1	1.5	243g	48	20	DS1-48-0001

$I_n$ [A]	$L_n$ [mH]	$R_{cu}$ [mΩ]	$f_{RES}$ [MHz]	Con- tion pins $\varnothing$	Weight [g]	Housing	Packing unit [pcs.]	Order Number
4	0.5	80	1.5	1.5	243g	48	20	DS1-48-0002
5	0.3	75	-	1.5	243g	48	20	DS1-48-0003
9	0.1	20	-	1.5	243g	48	20	DS1-48-0004
15	0.035	7	-	1.5	243g	48	20	DS1-48-0005
16	0.16	12	-	1.5	243g	48	10	DS1-48-0006

Most Popular.

Availability for all products can be searched real-time: <https://www.schurter.com/en/info-center/support-tools/stock-check-distributors>