

Interconnection Cord with Plug 6A 3-pole, Angled



70 °C

**Description**

Interconnection Cord,
- Protection class I, Pin temperature 70 °C, Cable

Approvals

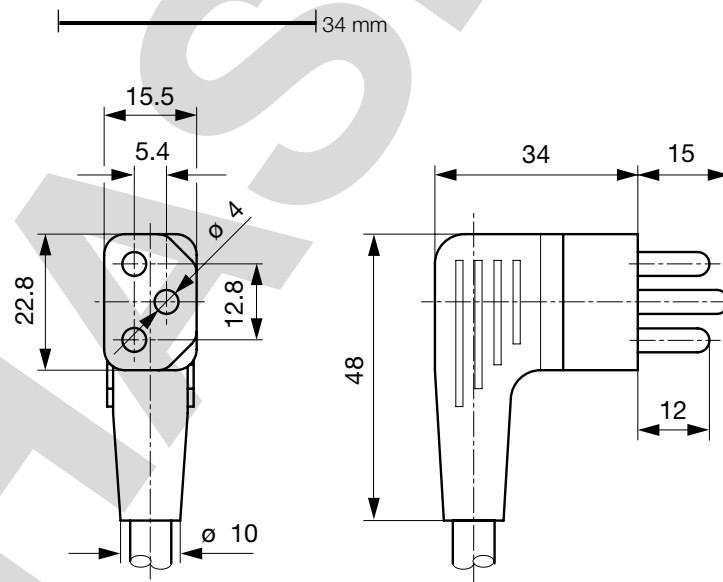
- UL File Number: E45116
- CSA File Number: 32338

Weblinks

[pdf](#), [html](#), [General Product Information](#), [Approvals](#), [RoHS](#), [CHINA-RoHS](#), [Mating Connectors](#), [e-Shop](#), [SCHURTER-Stock-Check](#), [Distributor-Stock-Check](#), [Accessories](#), [Detailed request for product](#)

Technical Data

Ratings IEC	6 A / 250 VAC; 50 Hz
Ratings UL/CSA	6 A / 250 VAC; 60 Hz
Dielectric Strength	> 2 kVDC between L-N > 2 kVAC between L/N-PE (1 min/50 Hz)
Allowable Operation Temp.	-25 °C to 70 °C
Degree of Protection	from front side IP 20 acc. to IEC 60529
Protection Class	Suitable for appliances with protection class 1 acc. to IEC 61140
Terminal	moulded
Material: Housing	PVC, black or grey

Dimensions

Config. Code

6004 - R - Type - D - Length

The characters are placeholders for the correspondingly keys of selections from the key tables.
Typ steht für die Dose bzw. 2. Seite, Länge ist die Leitungslänge in mm.

6004 - R - Type - D - Length = cord type

cord type	Configuration key
SVT 3x18AWG	N
SJT 3x18AWG	P

Cord definition is detailed in general product information XXX

6004 - R - Type - D - Length = Cord end 2

Cord end 2
zzzz

6004 - R - Type - D - Length = Color

Color	Configuration key
Black	A
Grey	B

6004 - R - Type - D - Length = Cord length

Cord length
zzzz, 000500, 001000, 001500, 002000, 002500, 003000, 005000

Cord length in mm

Packaging unit 250 Pcs

Mating Outlets/Connectors

Category / Description



[Appliance Outlet Overview complete](#)

IEC Appliance Outlet 6A 2- or 3-pole, Screw-on Mounting, Front Side, Solder Terminal	5177
IEC Appliance Outlet 6A 2- or 3-pole, Screw-on Mounting, Front Side, Solder Terminal	5178

[Appliance Outlet further types to6004](#)