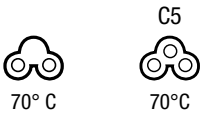


IEC Appliance Outlet B, Screw-on Mounting, Front Side, Solder Terminal



Description

- Panel Mount:
Screw-on mounting, Front Side
- 1 Function:

- Connector, Pin temperature 70 °C, protection class I or II
- Solder terminal

Approvals

- VDE Certificate Number: 115734
- UL File Number: E57445
- CSA File Number: 27324

References

Last order date: 08.05.2013
This type is Phase-out without alternate type

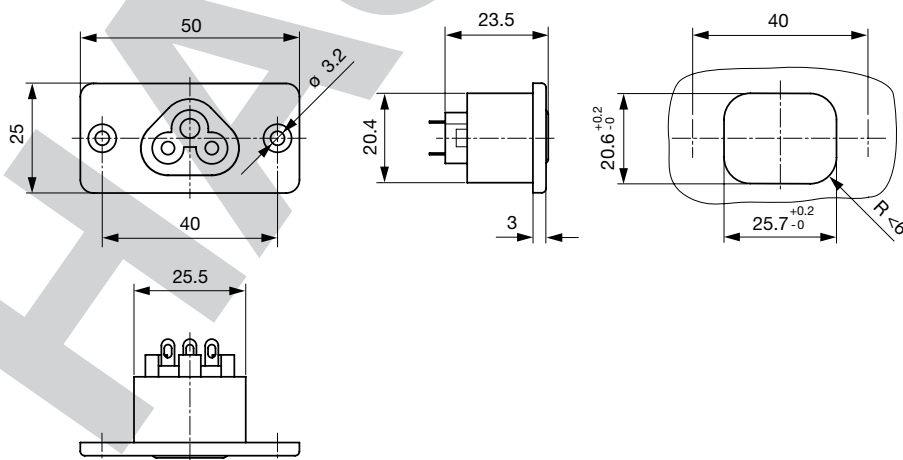
Weblinks

[pdf-datasheet](#), [html-datasheet](#), [General Product Information](#), [Approvals](#), [CE declaration of conformity](#), [RoHS](#), [CHINA-RoHS](#), [REACH](#), [Mating Connectors](#), [e-Shop](#), [SCHURTER-Stock-Check](#), [Distributor-Stock-Check](#), [CAD-Drawings](#), [Accessories](#), [Detailed request for product](#)

Technical Data

Ratings IEC	2.5A / 250VAC; 50Hz	Appliance Outlet	B acc. to IEC 60320
Ratings UL/CSA	2.5A / 250VAC; 60Hz		UL 498, CSA C22.2 no. 42 (for cold conditions) pin-temperature 70 °C, 2.5A, Protection Class I or II
Dielectric Strength	> 4 kVAC between L-N > 2 kVAC between L/N-PE (1 min/50Hz)		
Allowable Operation Temp.	-25 °C to 70 °C		
Degree of Protection	from front side IP 20 acc. to IEC 60529		
Protection Class	Suitable for appliances with protection class I or II acc. to IEC 61140		
Terminal	Solder terminals		
Material: Housing	PA6, black / grey / white, UL 94V-0		

Dimensions



Length of the terminal please find at the order code configuration table

Config. Code


5888 - H - A B C 0 - D - E O

The characters are placeholders for the correspondingly keys of selections from the key tables.

5888 - H - A B C 0 - D - E O = Type

Type	Configuration key
protection class 2	B
protection class 1	X

5888 - H - A B C 0 - D - E O = Terminals

Terminal L	Configuration key
solder terminal 	1

5888 - H - A B C 0 - D - E O = Terminals

Terminal N	Configuration key
solder terminal	1

Symbols similar as in table A

5888 - H - A B C 0 - D - E O = Terminals

Terminal Ground	Configuration key
without terminal	0

Symbols similar as in table A

Terminal Ground	Configuration key
solder terminal	1

Symbols similar as in table A

5888 - H - A B C 0 - D - E O = Color

Color	Configuration key
Black	A
Grey	B
White	D

5888 - H - A B C 0 - D - E O = Style

Style	Configuration key
flange with countersunk holes	1
flange with through holes	2

5888 - H - A B C 0 - D - E O = Features

Features	Configuration key

Packaging unit 50 Pcs

Accessories

Description



Front Cover
Front Cover

PH