

, 3-pole, Socket, PCB terminals, DIN Plug/Socket



3-pole

See below:

[Approvals and Compliances](#)

### Description

- PCB :  
Screw-on mounting , rear-side
- DIN Plug: 3-pole , straight

### References

Last order date: 31.01.2020

### Weblinks

[pdf data sheet](#), [html datasheet](#), [General Product Information](#), [Distributor-Stock-Check](#), [Detailed request for product](#)

### Technical Data

|                       |                  |                                 |                                 |
|-----------------------|------------------|---------------------------------|---------------------------------|
| Diameter              | 9.0 mm           | Allowable Operation Temperature | -20°C to 70°C                   |
| Number of Poles       | 3-pole           | Terminal                        | PCB terminals silver plated     |
| Ratings DC            | 1 A / 12VDC      | Mounting                        | Screw-on mounting<br>max. 2.0mm |
| Ratings AC            | 1 A / 100VAC     | Lifetime                        | 5000Insertions                  |
| Dielectric Strength   | 250VAC           |                                 |                                 |
| Insulation Resistance | > 50 MΩ @ 250VDC |                                 |                                 |




### Approvals and Compliances

Detailed information on product approvals, code requirements, usage instructions and detailed test conditions can be looked up in [Details about Approvals](#)

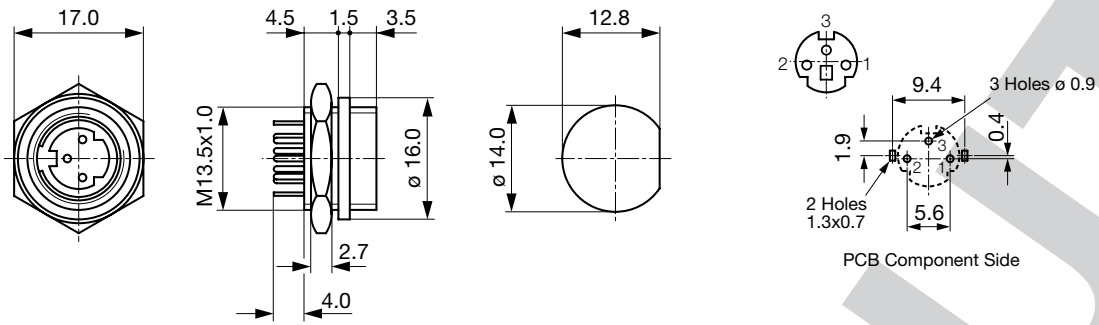
SCHURTER products are designed for use in industrial environments. They have approvals from independent testing bodies according to national and international standards. Products with specific characteristics and requirements such as required in the automotive sector according to IATF 16949, medical technology according to ISO 13485 or in the aerospace industry can be offered exclusively with customer-specific, individual agreements by SCHURTER.

### Compliances

The product complies with following Guide Lines

| Identification  | Details                    | Initiator   | Description   |
|---|----------------------------|-------------|---|
|  | <a href="#">RoHS</a>       | SCHURTER AG | Directive RoHS 2011/65/EU, Amendment (EU) 2015/863  |
|  | <a href="#">China RoHS</a> | SCHURTER AG | The law SJ / T 11363-2006 (China RoHS) has been in force since 1 March 2007. It is similar to the EU directive RoHS.  |
|  | <a href="#">REACH</a>      | SCHURTER AG | On 1 June 2007, Regulation (EC) No 1907/2006 on the Registration, Evaluation, Authorization and Restriction of Chemicals 1 (abbreviated as "REACH") entered into force. |

Dimensions [mm]



All Variants

| Product group   | Diameter [mm] | Number of Poles | Terminal      | Order Number |
|-----------------|---------------|-----------------|---------------|--------------|
| DIN Plug/Socket | 9.0           | 3-pole          | PCB terminals | 4850.2300    |

Availability for all products can be searched real-time: <https://www.schurter.com/en/Stock-Check/Stock-Check-SCHURTER>

Packaging unit

250 Pcs

Mating Inlets/Plugs

Category / Description



[DIN Plugs / Sockets Overview complete](#)

, 3-pole, Plug, solder terminal, DIN Plug/Socket

4850.1310

PFA