

, PCB terminals, screened, 2-pole, Audio Plug/Sockets, 2.5 mm



See below:

Approvals and Compliances

Description

- PCB :
Screw-on mounting , rear-side
- Audio entrances and exits
- Data and Signal transfer
- Audio Plug: 2-pole , shielded , straight

References

Alternative: Housing insulated [4831.2230](#)

Weblinks

[pdf data sheet](#), [html datasheet](#), [General Product Information](#), [Distributor-Stock-Check](#), [Detailed request for product](#)

Technical Data

Diameter	2.5 mm	Allowable Operation Temperature	-20 °C to 70 °C
Number of Poles	2-pole	Terminal	PCB terminals silver plated
Ratings DC	0.5 A / 30VDC	Mounting	Screw-on mounting wall thickness max. 1.5mm
Ratings AC	0.5 A / 30 VAC	Housing	screened
Dielectric Strength	500VDC	Style	straight
Insulation Resistance	> 100 MΩ @ 500VDC	Lifetime	5000Insertions




Approvals and Compliances

Detailed information on product approvals, code requirements, usage instructions and detailed test conditions can be looked up in [Details about Approvals](#)

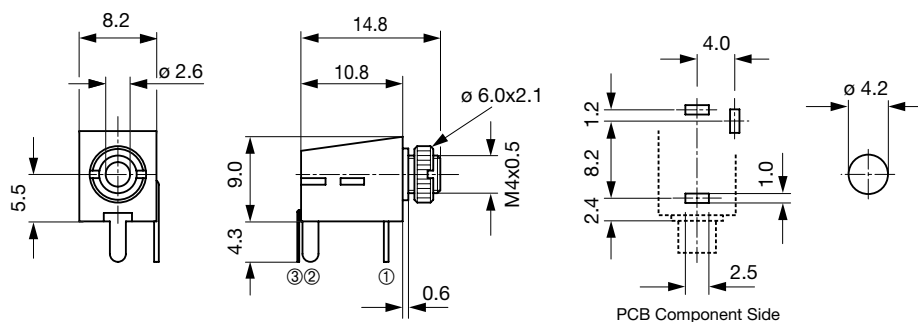
SCHURTER products are designed for use in industrial environments. They have approvals from independent testing bodies according to national and international standards. Products with specific characteristics and requirements such as required in the automotive sector according to IATF 16949, medical technology according to ISO 13485 or in the aerospace industry can be offered exclusively with customer-specific, individual agreements by SCHURTER.

Compliances

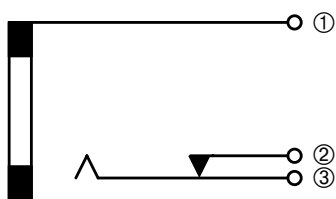
The product complies with following Guide Lines

Identification	Details	Initiator	Description
	RoHS	SCHURTER AG	Directive RoHS 2011/65/EU, Amendment (EU) 2015/863
	China RoHS	SCHURTER AG	The law SJ / T 11363-2006 (China RoHS) has been in force since 1 March 2007. It is similar to the EU directive RoHS.
	REACH	SCHURTER AG	On 1 June 2007, Regulation (EC) No 1907/2006 on the Registration, Evaluation, Authorization and Restriction of Chemicals 1 (abbreviated as "REACH") entered into force.

Dimensions [mm]



Diagrams



Variants

Product group	Diameter [mm]	Number of Poles	Terminal	Order Number
Audio Plug/Sockets	2.5	2-pole	PCB terminals	4831.2220

Availability for all products can be searched real-time: <https://www.schurter.com/en/info-center/support-tools/stock-check-distributors>

Packaging unit

500 Pcs

Mating Inlets/Plugs

Category / Description

[Audio Plug/Sockets Overview complete](#)



, solder terminal, screened, 2-pole, Audio Plug/Sockets, 2.5 mm	4831.1200
, solder terminal, insulated, 2-pole, Audio Plug/Sockets, 2.5 mm	4831.1210
, solder terminal, insulated, 2-pole, Audio Plug/Sockets, 2.5 mm	4831.1220