

Interconnection Cord with IEC Plug A without Earth Contact, Angled



C8A



70 °C

**Description**

Interconnection Cord, Protection class II, Pin temperature 70 °C, Cable

Approvals

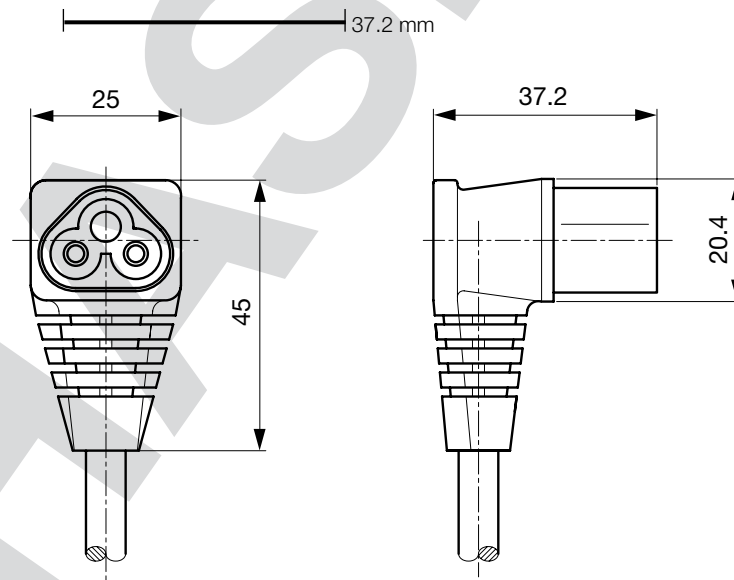
- VDE Certificate Number: 115739
- UL File Number: E45116
- CSA File Number: 1020530

Weblinks

[pdf](#), [html](#), [General Product Information](#), [Approvals](#), [RoHS](#), [CHINA-RoHS](#), [Mating Connectors](#), [e-Shop](#), [SCHURTER-Stock-Check](#), [Distributor-Stock-Check](#), [Accessories](#), [Detailed request for product](#)

Technical Data

Ratings IEC	2.5 A / 250 VAC; 50 Hz	A acc. to IEC/EN 60320-1 UL 498, CSA C22.2 no. 42 (for cold conditions) pin-temperature 70 °C, 2.5 A, Protection Class 2
Ratings UL/CSA	2.5 A / 250 VAC; 60 Hz	
Dielectric Strength	> 2 kVDC between L-N > 2 kVAC between L/N-PE (1 min/50 Hz)	
Allowable Operation Temp.	-25 °C to 70 °C	
Degree of Protection	from front side IP 20 acc. to IEC 60529	
Protection Class	Suitable for appliances with protection class 2 acc. to IEC 61140	
Terminal	moulded	
Material: Housing	PVC, black or grey	

Dimensions

Config. Code

Type - R - 2706 - D - Length

The characters are placeholders for the correspondingly keys of selections from the key tables. Typ is placed for the connector type on the second end, length is the cord length in mm.

Type - R - 2706 - D - Length = Cord end 2

Cord end 2

zzzz, 2510, 2511

Type - **R** - 2706 - D - Length = cord type

cord type

Configuration key

H03VV-F 2x0,75mm2	A
H03VWH2-F 2x0,75mm2	B
H05VV-F 2x0,75mm2	D
H05VWH2-F 2x0,75mm2	E
SVT 2x18AWG	M
special cord	Z

Cord definition is detailed in general product information XXX

Type - R - 2706 - **D** - Length = Color

Color

Configuration key

Black	A
Grey	B

Type - R - 2706 - D - **Length** = Cord length

Cord length

zzzz, 000500, 001000, 001500, 002000, 002500, 003000, 005000

Cord length in mm