

Power Cord with IEC Connector C5, Straight

**Description**

Power Supply Cord / Interconnection Cord, Protection class I, Pin temperature 70 °C, Cable

Approvals

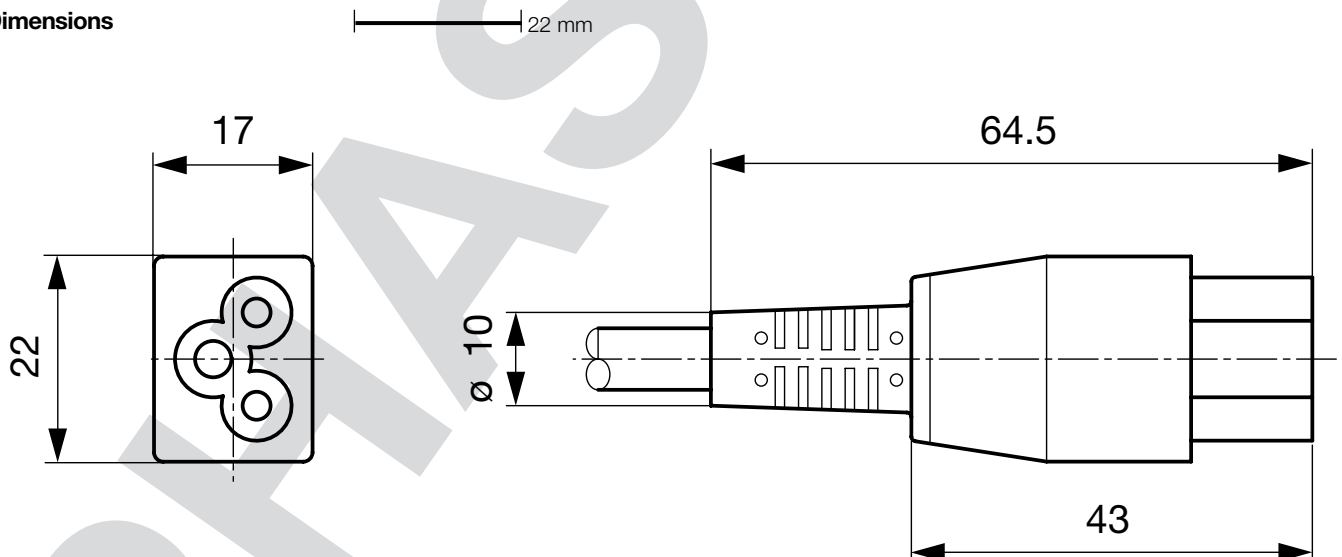
- VDE Certificate Number: 80643
- UL File Number: E45116
- CSA File Number: 32338

Weblinks

[pdf](#), [html](#), [General Product Information](#), [Approvals](#), [RoHS](#), [CHINA-RoHS](#), [Mating Connectors](#), [e-Shop](#), [SCHURTER-Stock-Check](#), [Distributor-Stock-Check](#), [Accessories](#), [Detailed request for product](#)

Technical Data

Ratings IEC	2.5 A / 250VAC; 50Hz	Connector	C5 acc. to IEC/EN 60320-1
Ratings UL/CSA	2.5 A / 250VAC; 60Hz		UL 498, CSA C22.2 no. 42 (for cold conditions) pin-temperature 70 °C, 2.5A, Protection Class 1
Dielectric Strength	> 3 kVDC between L-N > 1.5 kVAC between L/N-PE (1 min/50Hz)		
Allowable Operation Temp.	-25 °C to 70 °C		
Degree of Protection	from front side IP 20 acc. to IEC 60529		
Protection Class	Suitable for appliances with protection class 1 acc. to IEC 61140		
Terminal	moulded		
Material: Housing	PVC, black or grey		

Dimensions

Config. Code

Type - R - 2530 - D - Length

The characters are placeholders for the correspondingly keys of selections from the key tables. Typ is placed for the connector type on the second end, length is the cord length in mm.

Type - R - 2530 - D - Length = Cord end 2

Cord end 2

zzzz, P186, 0607, 0608, 0609, 1140, 2343, 422U, 4321, 4370, 4390

Type - R - 2530 - D - Length = cord type

cord type

H03VV-F 3G0,75mm2
H05VV-F 3G0,75mm2
H05VV-F 3G1,0mm2
SVT 3x18AWG

Configuration key

C
G
I
N

Cord definition is detailed in general product information XXX

Type - R - 2530 - D - Length = Color

Color

Black
Grey

Configuration key

A
B

Type - R - 2530 - D - Length = Cord length

Cord length

zzzz, 000500, 001000, 001500, 002000, 002500, 003000, 005000

Cord length in mm

Mating Inlets/Plugs

Category / Description

[Appliance Inlet Overview complete](#)



IEC Appliance Inlet C6, Screw-on Mounting, Front or Rear Side, Solder, PCB or Quick-connect Terminal	2561
IEC Appliance Inlet C6, Screw-on Mounting, Front or Rear Side, Solder, PCB or Quick-connect Terminal	2562
IEC Appliance Inlet C6, insert Mounting, Front or Rear Side, Solder, PCB or Quick-connect Terminal	2563
IEC Appliance Inlet C6, Snap-in Mounting, Front Side, Solder or Quick-connect Terminal	2565

[Appliance Inlet further types to2530](#)

[Interconnection Cord Overview complete](#)



Interconnection Cord with IEC Plug A, Angled	2705
--	------

[Interconnection Cord further types to2530](#)

[Power Entry Module Overview complete](#)



IEC Appliance Inlet C6 with Line Switch	2565-K
IEC Appliance Inlet C6 with Line Switch 1-pole	CMF3, CMF6

[Power Entry Module further types to2530](#)