

Cable to MSS, CHS and THS



3-Wire Harness



6-Wire Harness



7-Wire Harness

See below:
[Approvals and Compliances](#)

Description

- Cable connection as accessory

Alternative

Weblinks

[pdf data sheet](#), [html datasheet](#), [General Product Information](#), [CAD-Drawings](#), [Product News](#), [Detailed request for product](#)

Approvals and Compliances

Detailed information on product approvals, code requirements, usage instructions and detailed test conditions can be looked up in [Details about Approvals](#)

SCHURTER products are designed for use in industrial environments. They have approvals from independent testing bodies according to national and international standards. Products with specific characteristics and requirements such as required in the automotive sector according to IATF 16949, medical technology according to ISO 13485 or in the aerospace industry can be offered exclusively with customer-specific, individual agreements by SCHURTER.

Application standards

Application standards where the product can be used

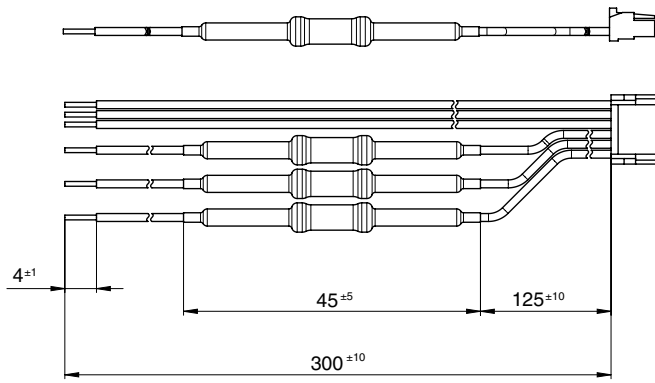
Organization	Design	Standard	Description
	Suitable for applications acc.	IEC/UL 62368-1	Audio/video, information and communication technology equipment - Part 1: Safety requirements

Compliances

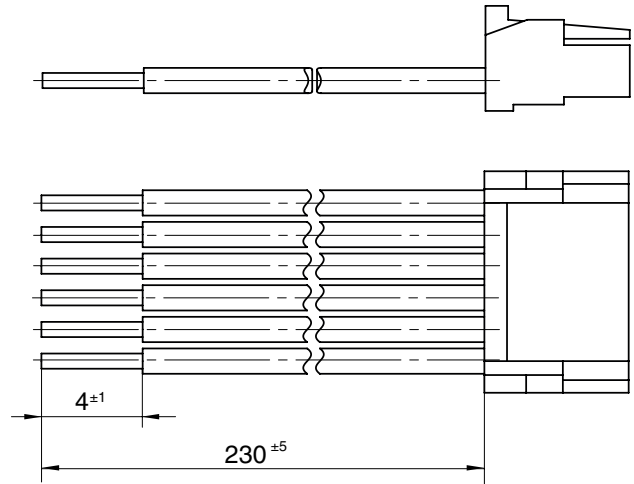
The product complies with following Guide Lines

Identification	Details	Initiator	Description
	RoHS	SCHURTER AG	Directive RoHS 2011/65/EU, Amendment (EU) 2015/863
	REACH	SCHURTER AG	On 1 June 2007, Regulation (EC) No 1907/2006 on the Registration, Evaluation, Authorization and Restriction of Chemicals 1 (abbreviated as "REACH") entered into force.

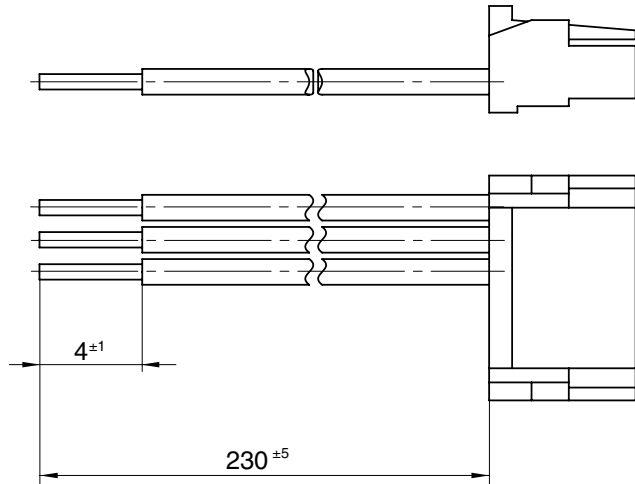
Dimension [mm]



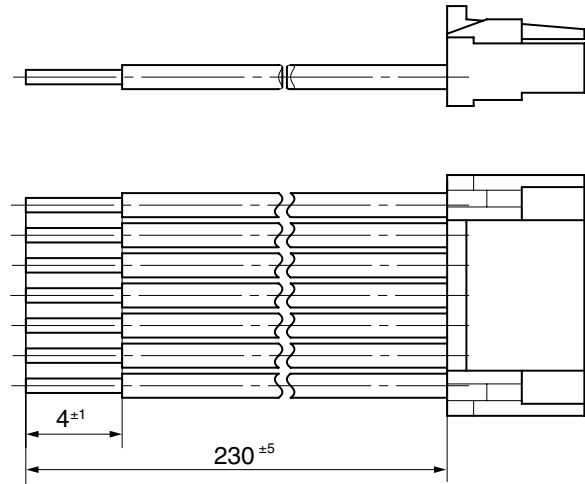
3-131-779



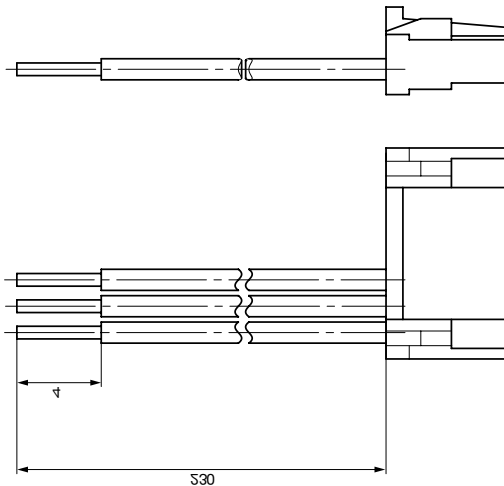
3-126-215



3-126-217



3-134-544



3-134-545

Variants

Connector	Number of Wires	Length [mm]	Series Resistors for LED @ ... VDC	Switch type	Order Number
JST GHR-06V-S	6	230	no	MSS LI	3-126-215
JST GHR-06V-S	3	230	no	MSS	3-126-217
JST GHR-06V-S	6	300	24	MSS LI	3-131-779
JST GHR-07V-S	7	230	no	CHS2/THS	3-134-544
JST GHR-07V-S	3	230	no	CHS1	3-134-545

Availability for all products can be searched real-time: <https://www.schurter.com/en/info-center/support-tools/stock-check-distributors>

Packaging unit	10
-----------------------	----
